

**13A+2 Data** POWER GROMMET

## Specifications

- Galvanised steel backbox
- Fixing clamps
- 13 Amp Socket
- 2 x LJ6C data modules (sold separately)
- 20mm knockouts

## Dimensions

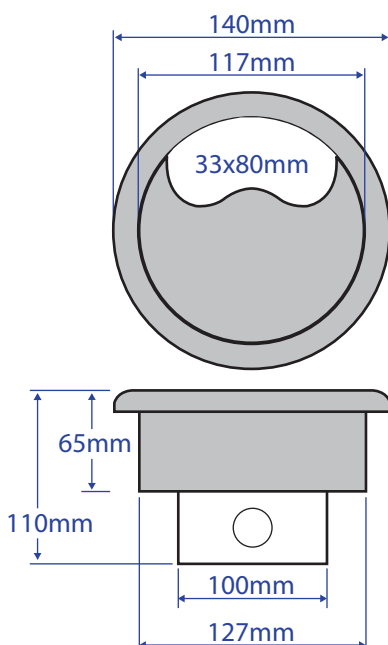
**Model:** FGG127PDD / FGB127PDD

**Cutout:** 127mm

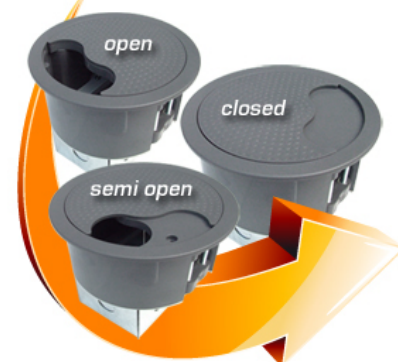
**Colours:** Grey / Black

**Power:** 13 Amp Socket

**Data:** 2 x LJ6C (37mm x 32mm)



## 360° Swivel Lid TECHNOLOGY



### Disclaimer

Due to our policy of continuous improvement, Tass Cable Management Ltd reserve the right to change product specifications without notice